

360a Label Applicator



The 360a Series Label Applicator evolved from the industry standard 360 Series Platform.



Tamp Module



Air Blow Module

Setting Global Standards
One Customer at a Time

www.ctmlabelingsystems.com
www.mpilabels.com

360a Label Applicator

Features:

The 360a Series Label Applicator evolved from the industry standard 360 Series Platform. The 360a can be configured as a merge, blow-on or tamp-blow applicator, 5", 7.5" or 10" widths and each module can also be easily switched to the opposite hand with few or no change parts in a minimum amount of time. All units are stepper motor driven to include State-of-the-art electronics and a "Self-teaching" label sensor. File encryption of the 360a allows for easy "on-site" software revisions and upgrades.

Stepper Motor

The 360 stepper drive uses a micro pulse driver for increased accuracy and performance, and is programmable to dispense labels at up to 3000 inches per minute.

Control

The 360a features a combined power supply, amplifier and position controller to comprise a single drive package. The new single axis digital stepper / servo controller controls up to five tasks simultaneously plus management of variables with expanded I/O making this drive well-suited for the most demanding production applications. The 360a controller is also equipped with onboard I/O prewired to external connectors to accommodate the following:

low label	single, double or triple lightstack
web break	encoder velocity compensation
loose loop control	product shape profiling
imprinting	zero downtime configuration

Each machine is shipped preprogrammed and can have the additional hardware installed at a later date for simple "plug-n-play" operations. The electronic control assembly is packaged as a module and can be easily removed for repair or replacement, eliminating costly downtime and servicing.

Operator Interface

The 6", 256 color, TFT touch screen operator interface provides a bold, bright, high contrast display with self-diagnostic platforms and multi-level intuitive set-up features.

Electrical:

120 VAC, 50/60 Hertz, Single Phase, 5 amps.
240 VAC available

Air Consumption:

Up to 4 CFM at 60-90 psi.

Labeling Speeds:

Programmable to 3000 inches per minute with secondary unwind and vacuum takeaway. Programmed with speed profiling ability.

Product Sensing:

Retroreflective scanner provided as standard, other types available.

Label Sizes:

	Minimum	Maximum
Air Blow	3/4" wide x 3/4" L	7.5" wide x 9" L
Merge	3/4" wide x 3/4" L	10" wide x 20" L
Tamp	3/4" wide x 3/4" L	10" wide x 10" L

Label Roll Size:

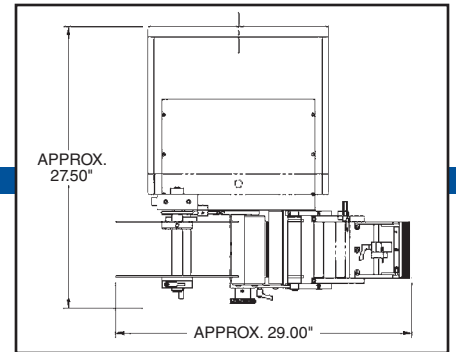
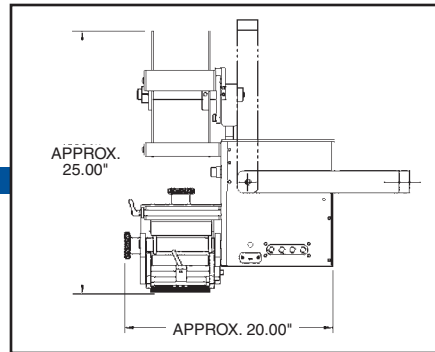
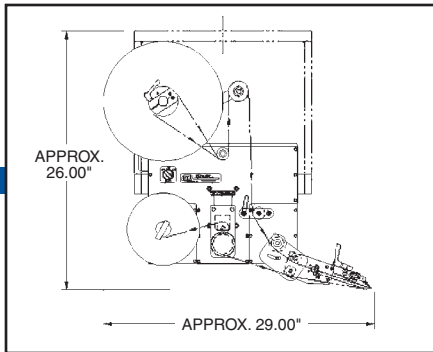
Maximum 12" OD x 3" ID core
Optional 16" OD or 20" OD x 3" or 6" ID cores

Label Placement:

+/- 1/32"

Dimensions:

Air Blow 28" wide x 24" Tall x 27-1/2" Deep
Merge 29" wide x 25" Tall x 27-1/2" Deep
Tamp 28" wide x 22-1/2" Tall x 27-1/2" Deep



Distributed By:



1421 W. Main Street
Alliance, Ohio 44601
330-938-2134

www.mpilabels.com



1318 Quaker Circle
P.O. Box 589
Salem, Ohio 44460
(330) 332-1800



www.ctmlabelingsystems.com