



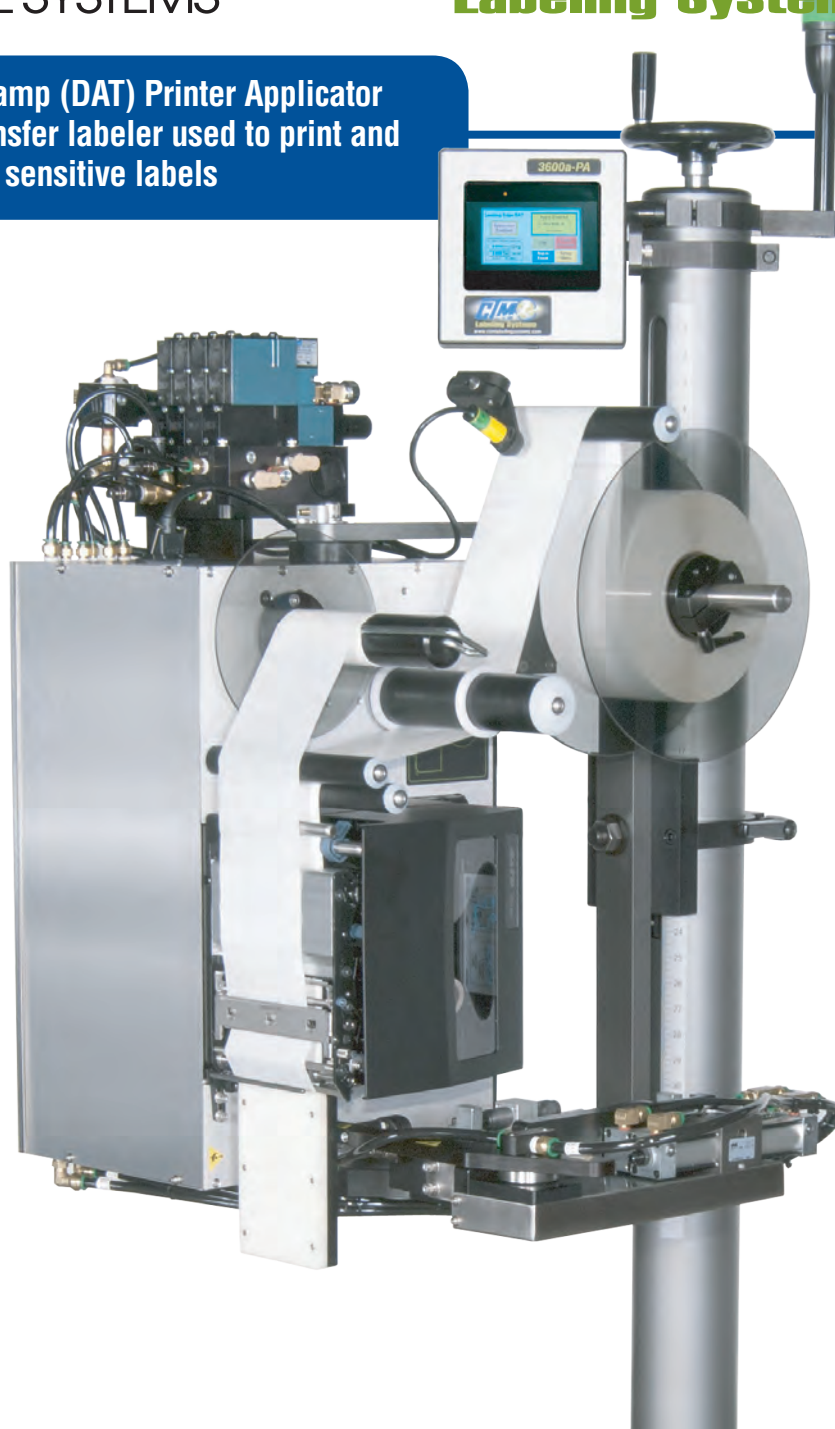
3600PA Dual Action Tamp (DAT) Printer Applicator



The 3600-PA Dual Action Tamp (DAT) Printer Applicator is a high speed, thermal transfer labeler used to print and apply pressure sensitive labels



SATO, ZEBRA and DATAMAX
Print Engines Available



Setting Global Standards
One Customer at a Time

www.ctmlabelingsystems.com
www.mpilabels.com

3600PA Dual Action Tamp (DAT) Printer Applicator

Features

The 3600-PA Dual Action Tamp (DAT) Printer Applicator is a high speed, thermal transfer labeler used to print and apply pressure sensitive labels that can be programmed for single or two panel labeling applications applied to various cartons, cases or pallets. The single panel can be applied to either the front or the side.

The unit can be mounted in almost any position to apply labels to the leading, side or trailing panels of various products, and can be oriented reels up, nose up or down depending upon label size and position on the product.

The short height actuator assembly allows the unit to reach over a conveyor to products which are not at the edge of the conveyor - 4" tall labels can be located 1/4" from the bottom of products.

Right hand or left hand versions available for either side of conveyor or for leading or trailing end panels.

Datamax, Sato or Zebra print engines are integrated into the applicator to print variable data.

Labels as large as 7.1" wide, up to 6.6" print width can be accommodated with its built-in barcodes and alpha-numeric fonts and 203, 305 or 600dpi print resolution.

The 3600a plc control includes a remote 4.3" color touchscreen operator interface display, user friendly and easy to read with an intuitive menu structure for operating parameters, and I/O diagnostics for use in labeler setup and troubleshooting of interface connectivity. An enhanced set up and testing capability provides for feeding of blank labels. Multi-layers of password protection offer security at operator and technical access levels. Remote mounting allows convenient locating regardless of labeler position or attitude.

The operating program includes an encoder based Velocity Compensation feature for improved label placement accuracy at varying process line speeds.

Print capabilities include fonts of various sizes and styles with independent height and width expansion; barcodes include OCR A/B, EAN 8/13, Code 39, Code93, UPC A/E (with extensions), Code 128, I 2 of 5, Maxicode, DataMatrix, PDF417, MicroPDF, CODABAR, MSI,

POSTNET and others. The Graphics feature supports user defined fonts and graphics including custom logos. Labeling Speed is dependent upon label size, print speed and application type.

Standard Machine Features include Heavy Duty Construction, Tamp Blow Applicator, External Valves and Controls, Remote Operator Color Touchscreen Display, 12" O.D. Label Roll. Various onboard I/O signals are pre-wired to an external connector; additional built-in ports allow optional features to be added in the field with minimum investment.

Optional features include Low Label/Low Ribbon, Out Of Label/Out of Ribbon, End of Web, "Ready" Stack Light

Dimensions

Dependent Upon Line Configuration

Weight

Approx. 150 lbs.

Electrical

108-132 Volts AC, 5 Amps, 54/60 Hertz, Single Phase

Pneumatic

90 PSI., 3-5 CFM

Communications

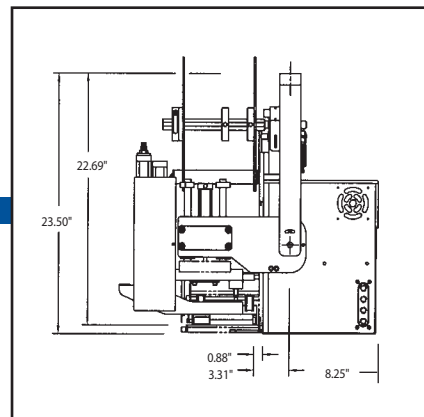
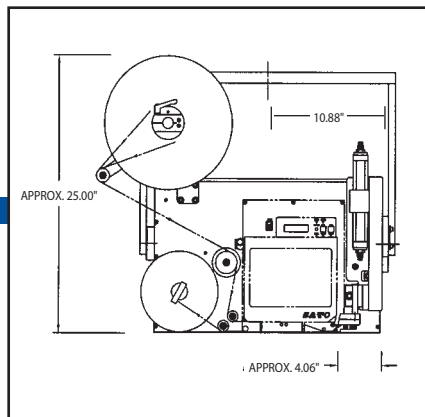
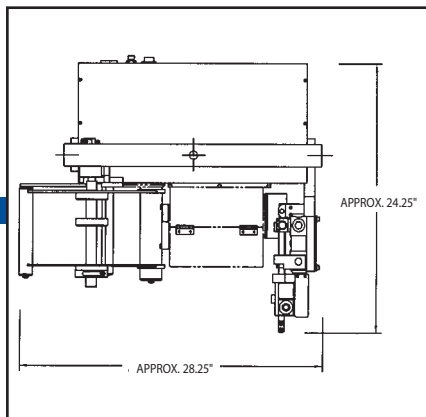
RS 232, Parallel - Others Available

Environmental

Operating 41^o F to 104^o F (5^o C to 40^o C)
Storage -4^o F to 104^o F (-20^o C to 40^o C)

Printing Method

Thermal Transfer, Direct Thermal



Distributed By:



1421 W. Main Street
Alliance, Ohio 44601
330-938-2134

www.mpilabels.com



1318 Quaker Circle
P.O. Box 589
Salem, Ohio 44460
(330) 332-1800



www.ctmlabelingsystems.com